

Simon

The Simon Vent-A-Matic is a durable and effective range of in-glass ventilators that can solve most ventilation requirements. Available in static and rotary formats, it meets all current gas regulations. Suitable for double and single glazing, the Vent-A-Matic is still the market leader in its field.

Vent-A-Matic

Quality Glass Rotary Ventilators

- A complete range of quality glass mounted ventilators
- Patented diffusing rotor system prevents severe draughts
- Models suitable for single or double glazing
- Controllable – with open/close shutters
- External stormguards available on most models
- Aperture reducing ring available (AP AD)



R.W. Simon Limited System Works, Hatchmoor Industrial Estate,
Torrington, Devon EX38 7HP United Kingdom
Tel: 01805 623721 Fax: 01805 624578 E-mail: info@rwsimon.co.uk
Web: www.rwsimon.co.uk



Simon
Air Management
Systems

Vent-A-Matic

Quality in-glass rotary ventilators

Controllable with Shutters
Models 102/106/SXL/C102S/C106S/RXL

Description

Simon Vent-A-Matic controllable ventilators are available in various model sizes. Each model is equipped with a diffusing rotor which helps to prevent severe draught and improve fresh air distribution within the room. The rotor also continues to operate whilst under its own inertia, even when air pressure on each side has been equalised.

Application

Simon Vent-A-Matic controllable ventilators provide the ideal solution to the control of condensation in most sizes of room. They can be fitted to 4mm or 6mm single glazing and up to 32mm double glazing without the need to reglaze, and are particularly useful where no opening is available, or where leaving an open window has safety and security implications.

MODEL	APPLICATION
102	toilets boats caravans sheds
106	kitchens bathrooms bedrooms average size rooms
SXL	larger rooms offices hospitals commercial
C102S	As for 102 but with Stormguard as standard
C106S	As for 106 but with stormguard as standard
RXL	Sliding sash windows with narrow clearances between two window frames

Controls: Each model is provided with radial shutter control operated by a pull cord.

**Controllable Hermetically Sealed and
 Secondary Double Glazing DGS106**

Description

Simon Vent-A-Matic double glazing ventilators are designed to suit hermetically sealed or secondary double glazing controllable ventilation up to 32mm.

MODEL	APPLICATION	UNIT THICKNESS
DGS 106	Hermetically sealed units	12-32mm

Manufacture & Performance

Injection moulded components made from UV stabilised translucent polystyrene to avoid discolouration. Ultrasonically welded and assembled in cleanroom conditions.

Simon Vent-A-Matic glass mounted rotary ventilators are produced under ISO 9001 Quality Systems.

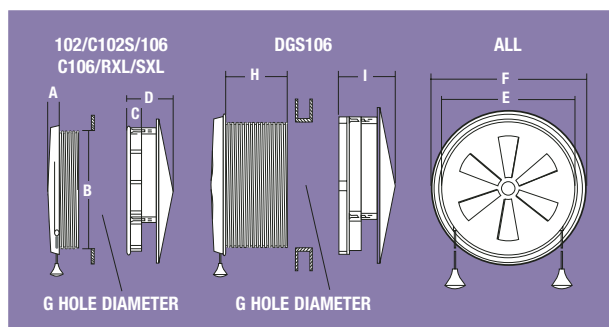
MODEL	DIMENSIONS				
	102/C102S	106/C106S	DGS106	RXL	SXL
Dim	mm	mm	mm	mm	mm
A	18	23	-	23	33
B	116	159	-	159	210
C	15	18	-	18	18
D	55	63	-	63	73
E	128	179	179	179	250
F	153	203	203	203	256
G	121	162	162	162	219
H	-	-	48	-	-
I	-	-	72	-	-

**APERTURE ADAPTERS - Adapters to adapt
 180mm up to 200mm dia. holes are available as an extra**

Performance

Simon Vent-A-Matic air flow performance.

Ventamatic Model	Volume (litres/second)	Equivalent Area (mm ²) @ 1pa
102	3.53	4,498
C102S	3.14	3,998
106	4.63	5,897
C106S	5.5	6,997
DGS/106	5.5	6,997
RXL	4.71	5,997
SXL	9.03	11,495



Sitework

All the above models are designed for simple two part fitting into a glass aperture. For additional security and weather-tightness, if required, a little silicone glazing sealant can be applied to the external retaining ring.

Important: Hermetically sealed units must be fitted by the double glazing manufacturer.

Request the fitting of a Vent-A-Matic prior to manufacture and installation of double glazing.

Airflow rates quoted are for when the units are fitted in accordance with manufacturers recommendations. Tested in accordance with BS EN 13141-1:2004

R.W. Simon Limited System Works, Hatchmoor Industrial Estate,
 Torrington, Devon EX38 7HP United Kingdom
 Tel: 01805 623721 Fax: 01805 624578 E-mail: info@rwsimon.co.uk



Simon

Simon

The Simon Vent-A-Matic is a durable and effective range of in-glass ventilators that can solve most ventilation requirements. Available in static and rotary formats, it meets all modern gas regulations. Suitable for double and single glazing the Vent-A-Matic is still the market leader in its field.

Vent-A-Matic

Quality Static Ventilators

- Design for use where continuous ventilation is mandatory
- Marked with free air space opening to conform with Gas Board recommendations
- Models PBS, JG, DGS/PBS and DGS/JG equipped with storm guard as standard
- Model PB combines low cost, double louvres, and high security
- Model DGS/JG and DGS/PBS for double glazing



R.W. Simon Limited System Works, Hatchmoor Industrial Estate,
Torrington, Devon EX38 7HP United Kingdom
Tel: 01805 623721 Fax: 01805 624578 E-mail: info@rwsimon.co.uk
Web: www.rwsimon.co.uk



Simon
Air Management
Systems

Vent-A-Matic

Quality Glass Static Ventilators

Continuous Models PBS, JG, PB, DGS/JG, DGS/PBS

Description

Simon Vent-A-Matic static ventilators are available in various model sizes. The PBS and JG units are both equipped with an integral stormguard as standard, to reduce draft. The PB is a low cost double louvered model, security proof and requires a glass aperture of 164mm for fitting. The DGS/JG and DGS/PBS are designed for fitting to double glazed units of 12-32mm unit thickness

Application

Simon Vent-A-Matic static ventilators are designed for use where continuous ventilation is mandatory. A choice of round or square louvered models are available and these are ideal for any room fitted with a gas or solid fuel appliance. They are particularly useful for open fires and woodburning stoves, providing a continuous supply of fresh air to the combustion process and therefore alleviating the build up of harmful gases. The efficiency of the appliance is also improved, thus reducing overall fuel costs.

MODEL	APPLICATION
PBS	All applications- will fit sliding sash windows
JG	All applications- square louvered design
PB	All applications- low cost
DGS/JG, DGS/PBS	Hermetically sealed units

Performance

Simon Vent-A-Matic air flow performance.

Ventamatic Model	Volume (litres/second)	Equivalent Area (mm ²)
JG	6.1	7,757
DGS/JG	6.13	7,796
PBS	7.78	9,896
DGS/PBS	7.78	9,896
PB	5.58	7,097

Manufacture

Injection moulded components made from UV stabilised translucent polystyrene to avoid discolouration. Ultrasonically welded and assembled in clean-room conditions. Produced under ISO 9001 quality systems.

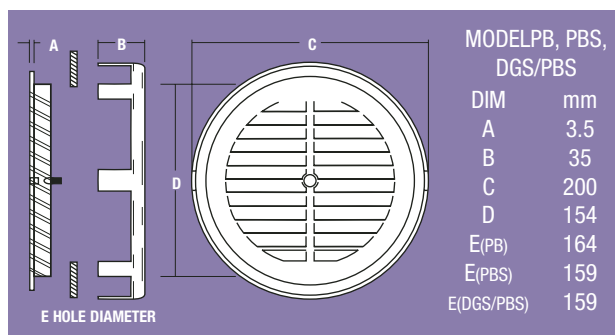
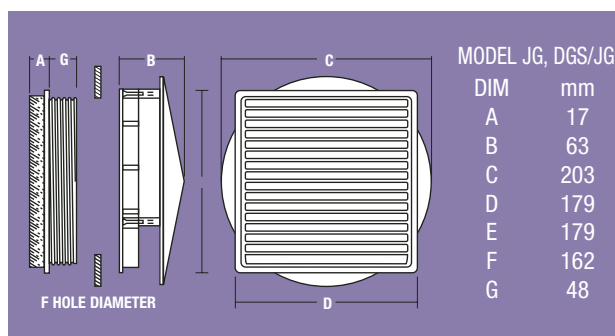
Airflow rates quoted are for when the units are fitted in accordance with manufacturers recommendations. Tested in accordance with BS EN 13141-1:2004

R.W. Simon Limited System Works, Hatchmoor Industrial Estate,
Torrington, Devon EX38 7HP United Kingdom
Tel: 01805 623721 Fax: 01805 624578 E-mail: info@rwsimon.co.uk

Sitework

All the above models are designed for simple two part fitting into a glass aperture. For additional security and weather tightness on the JG model, a little clear sealant can be applied to the external glazing ring if required.

The PB, PBS and DGS/PBS models are secured by a central brass bolt from the inside, which cannot be removed from the outside. Important: Hermetically sealed units must be fitted by the double glazing manufacturer. Request the fitting of a Vent-A-Matic prior to manufacture and installation of double glazing.



Aperture Adapters

Adapters to adapt 180mm up to 200mm dia. holes are available as an extra.



Simon
Air Management
Systems