

Better working conditions

More efficient work can be expected when the atmosphere is fresh. Good air conditions help people to be mentally alert. Xpelair ventilation in offices and workshops is a wise business move.



Comfort in the kitchen

Cooking smells and steamy heat will be whisked away when the kitchen is fitted with an Xpelair. There will be no cooking smells round the house and less condensation streaming down the walls.

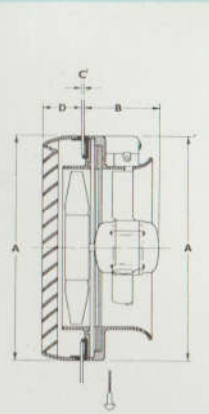
In cafés, clubs and bars

Xpelair ventilation will preserve the pleasant, comfortable atmosphere necessary where people want to relax. Clear air, freedom from odours, and temperature control can be maintained without draught.



In small confined spaces

Such as clinic waiting rooms, photographic dark rooms, etc.



Dimensions in inches and weights

	Fan diameter		
	6	7½	9½
A	8	11 ⁵ / ₁₆	13 ¹¹ / ₁₆
B	3 ¹ / ₁₆	4 ¹ / ₂	4 ¹ / ₂
*C	³ / ₃₂ -1	¹ / ₈ -1	⁵ / ₃₂ -1
D	1 ¹¹ / ₁₆	2 ¹ / ₈	2 ³ / ₈
Diam. of hole in glass	6 ³ / ₄	9 ¹ / ₂	11 ⁵ / ₈

Weight: A.C. 5½ lb., 10½ lb., 14 ³/₄ lb

* With standard fixing screws.

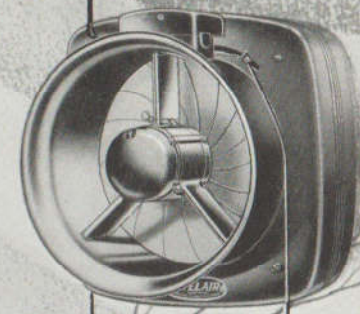
Special screwed rods can be supplied at extra cost for fixing to walls.

Installation. All that is necessary is to cut a circular hole, diameter as given above, in the window pane or partition; clamp the unit in position by means of its rubber cushioned fixing rings; and connect to the electrical supply. A plug and socket should be used.

Manufactured in England by
WOODS OF COLCHESTER LTD.

An Associate Company of
THE GENERAL ELECTRIC CO. LTD. OF ENGLAND

Represented in Canada by
AMALGAMATED ELECTRIC CORPORATION LTD.
MONTREAL TORONTO WINNIPEG
CALGARY VANCOUVER



XPELAIR

DRAUGHT-PROOF ventilation

XPELAIR

changes the air while draught is shut out

Well-being and working ability are much affected by air conditions. Yet think! How often is fresh air shut out? How often is the same atmosphere breathed over and over again? And all because open windows let in chills, draught, noise, and dust.

The sensible thing is to install an Xpelair. Then the air can be changed while windows stay closed. The Xpelair extracts stale air, tobacco smoke, kitchen heat, steam and cooking smells. You can switch on healthy ventilation—with comfort—just as you switch on warmth.

In another way, too, the Xpelair gives draught-free ventilation. Built into it is an iris shutter which seals out draught when the fan isn't running. Pull one control cord, the shutter opens and the fan is switched on. Pull the other cord, the fan stops and the shutter closes, sealing out cold air.

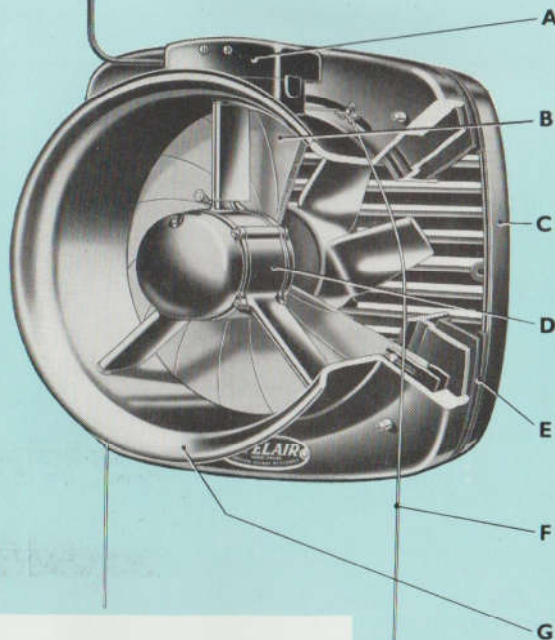
How much ventilation?

The Xpelair provides inexpensive ventilation, and it is false economy to stint the rate of air changes. To state an exact number of air changes per hour is difficult. It depends on the size and purpose of the room. The smaller the area, the greater the number of air changes required. Small rooms should have twenty to thirty changes of air an hour, and where there may be heat or odours, as in kitchens, this number may well be doubled. Larger areas should generally have at least ten to twenty changes, and more may be advisable, depending on the nature of the room—a kitchen will always require many more air changes than an office. Above all be generous in deciding on the amount of air to be moved.

Examples

One SX125 Xpelair will give ten air changes an hour in a space 10 ft. x 8 ft. x 9 ft.

One SX250 model will give fifteen air changes an hour in a room 12 ft. x 10 ft. x 10 ft.



Simple to install

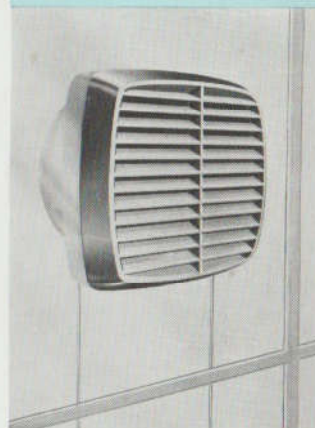
The Xpelair is easily fixed into window glass or partitions (see back of leaflet).

Draught-proof design

- A Fan switch built in.
- B Iris shutter, linked with the fan switch.
- C New style outlet grille (on right). Suitable for windows with close fitting shutters.
- D Quiet extract fan with totally enclosed, long-life motor.
- E Rubber cushioned mounting ring.
- F Nylon cords operate shutter and switch.

G Easily cleaned

The fan unit can be removed in a few minutes for cleaning without disturbing the part fixed to the window or partition. (Only four screws to be removed.) This is a special advantage, since window fans need periodic cleaning, which is difficult with other designs.



Brief specification

Sizes. The Xpelair is made in three models: SX125—6 in. impeller; SX250—7½ in. impeller; SX500—9 in. impeller.

Construction. Casing and outlet grille are moulded in plastic. The iris shutter is also plastic. The mounting ring is aluminium alloy. The 6 in. and 7½ in. impellers are moulded in plastic. The 9 in. impeller is a steel pressing.

Motor. For A.C. circuits the motor is a shaded pole induction type fitted with silent running SASO self-oiling bearings. All motors are totally enclosed, comply with B.S. 170 and have C.S.A. approval No. 9064. The insulation satisfies tropical requirements. Motor speed: SX125—1850 r.p.m., SX250 and SX500—1650 r.p.m. Accessible lubricators are fitted, on the two larger sizes; oiling holes on the SX125.

Voltages and frequency.

A.C. single phase, 60 cycles.
100–110, 200–210 or 220–250 volts.

Colours. SX125: Cream with black shutter.

SX250 and SX500: All black.

Choice of models. All three sizes can be supplied without the shutter and inbuilt fan switch for positions where no back-draught problem occurs.

Blade diam. in.	Extract capacity cu. ft./hr.	Watts	Circuit	With shutter and switch	Less shutter and switch	Model Ref. No.
6	7500	27	A.C.	Cat. No. V350C/6	Cat. No. V325C/6	SX125
7½	18,000	30	A.C.	V360/6	V362/6	SX250
9	30,000	52	A.C.	V370/6	V372/6	SX500

Thickness of glass

The glass in which the Xpelair is mounted should be not less than the following:

SX125: 18 oz. ⅜ in. (2 mm.) thick.

SX250: 24 oz. ½ in. (3 mm.) thick.

SX500: 32 oz. ⅝ in. (4 mm.) thick.